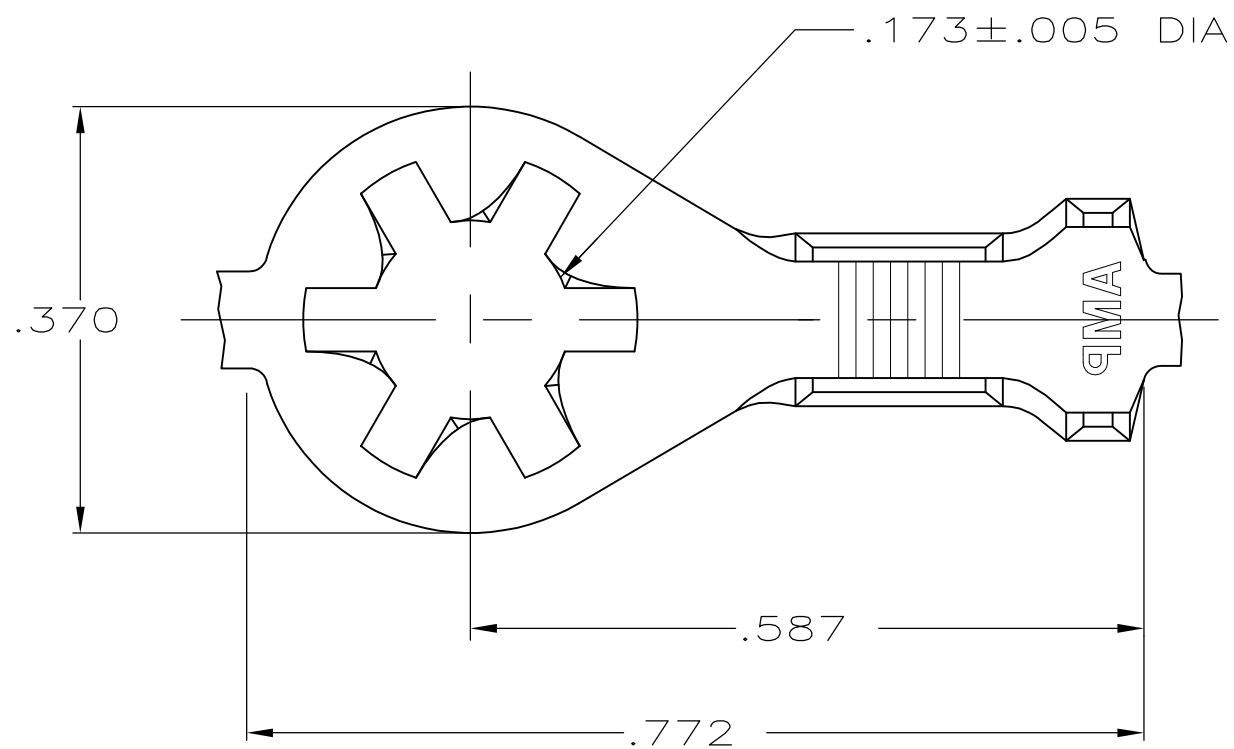
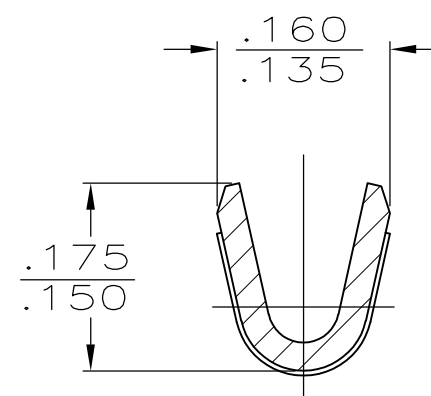


THIS DRAWING IS UNPUBLISHED. RELEASED FOR PUBLICATION
 © COPYRIGHT BY TYCO ELECTRONICS CORPORATION. ALL RIGHTS RESERVED.

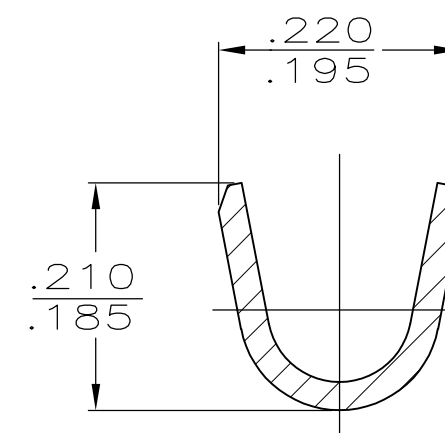
LOC	DIST	REVISIONS			
P	LTR	DESCRIPTION	DATE	DWN	APVD
AF	50	T	REVISED PER ECR-07-014127	26SEP07	HMR DD



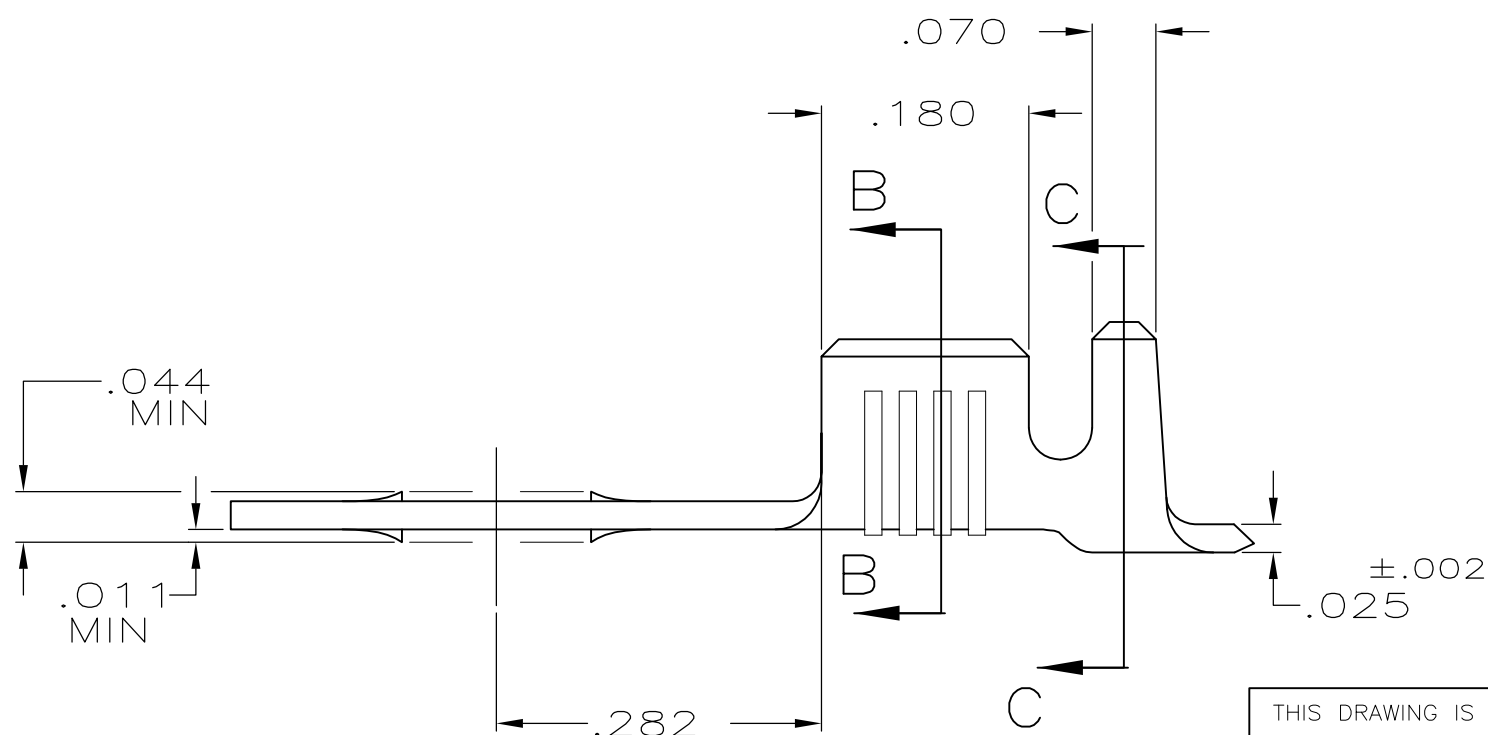
- 1 CONTINUOUS STRIP ON REELS
- 2 REELED WITH PAPER
- 3 .000080 MIN TIN PL PER MIL-T-10727.
- 4 PRELIMINARY - NOT FOR PRODUCTION



SECTION B-B



SECTION C-C



4	3	T4 BRASS	.105-.145	18-14	61794-7
2	3	T2 STEEL	.105-.145	18-14	61794-6
		T4 BRASS	.105-.145	18-14	61794-4
OBSOLETE		NICKEL PL T2 STEEL	.105-.145	18-14	61794-3
OBSOLETE					61794-2
	3	T2 STEEL	.105-.145	18-14	61794-1
FINISH		MATERIAL	INSULATION RANGE	WIRE SIZE	PART NO

THIS DRAWING IS A CONTROLLED DOCUMENT.		DWN 5/15/87 D HOLLINGSWORTH	Tyco Electronics Corporation Harrisburg, PA 17105-3608		
DIMENSIONS: INCHES		CHK 11/23/87 G YETTER	NAME		
TOLERANCES UNLESS OTHERWISE SPECIFIED:		APVD 12/2/87 RP FRANTZ	RING		
0 PLC ± -		PRODUCT SPEC	SIZE CAGE CODE DRAWING NO RESTRICTED TO		
1 PLC ± -		APPLICATION SPEC	A3 00779 C-61794		
2 PLC ± -		WEIGHT	SCALE SHEET REV		
3 PLC ± .015			6:1 1 OF 1 T		
4 PLC ± -					
ANGLES ± -					
MATERIAL SEE TABLE	FINISH SEE TABLE	CUSTOMER DRAWING			